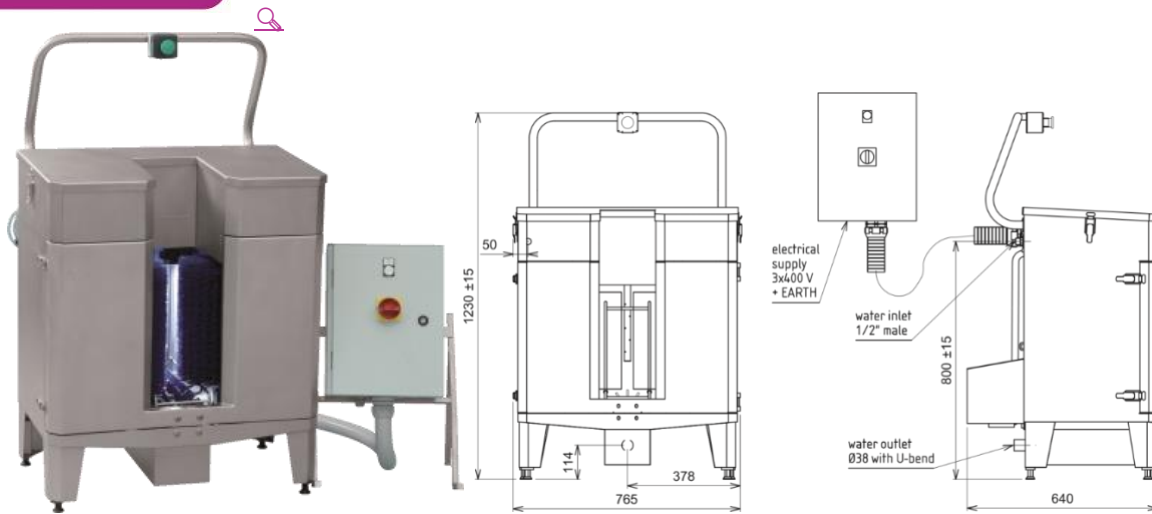




Three Brush Automatic Boot Washer SKU: JK00960



The JKSS Three Rotating Brush Semi-Automatic Boot Washer is perfect for a variety of commercial applications and features the following:

- Operated by pressing a single button
- Cleaning the boots by the action of 3 rotating brushes
- Automatic dosing of water and detergent
- Removal of the brushes is done without the need of tool and makes cleaning the brushes and the brush housing simple
- Supplied with a venturi metering system for accurate dosing of the detergent

Specifications

- 304 stainless steel construction- Bead blasted surface finish
- Two vertical brushes
- One horizontal brush
- Adjustable dosing venturi: 0.2 to 9.3%
- Footprint dims: 765 x 640 mm
- Perforated waste basket

Water supply

- Recommended pressure: 3 bars
- Maximum temperature: 50° C- Water flow rate: 6 l/min

Electrical supply

- 3 phase 400 V + earth - 50 Hz - Power 0.55 kW